



BOSCH

Invented for life

Bosch Hydronic Air Handler

AHU Model

The Bosch Hydronic Air Handler (AHU) pairs with Bosch Greentherm Gas Condensing Tankless water heaters as an alternative to a gas furnace with a ducted system, providing a more efficient heating system with a virtually endless supply of domestic hot water.





An efficient comfort system
with a virtually endless supply
of domestic hot water.

Meet the Bosch AHU Model

The Bosch hydronic air handler connects seamlessly with the Greentherm tankless water heater. As the hot water circulates through the hydronic heating coil within the air handler, warm air is sent through the residential duct system. An integrated control board connects to the home's thermostat. When the thermostat calls for heat, the air handler will turn on the integrated pump for 30 seconds before turning on the fan. This allows the hot water to pre-heat the hydronic heating coil to eliminate the blast of cold air at the start of the heating cycle. When the thermostat calls for cooling the control board only activates the blower.

Features

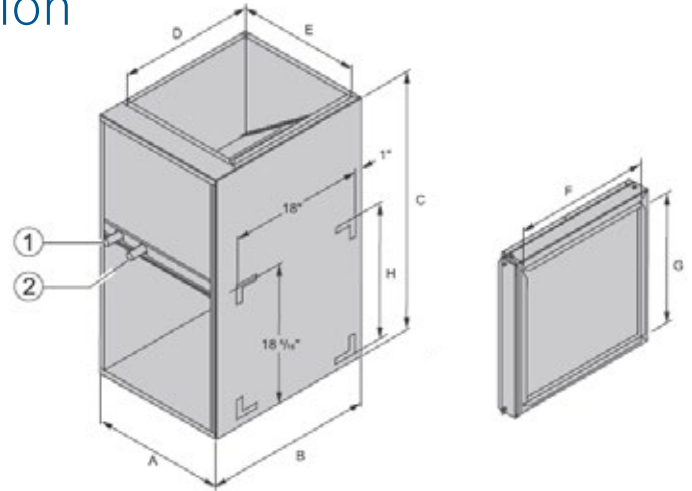
- ▶ Designed to work with the Bosch Greentherm water heater providing a complete solution for home heat and hot water
- ▶ The integrated control board logic, provides a 30 second delay to start and stop the blower and pump to provide optimum comfort and efficiency
- ▶ The integrated pump timer runs for 60 seconds every 6 hour to prevent water stagnation
- ▶ The Bosch Hydronic Air handler and water heater have a wide operating range, allowing the system to meet the heating needs of various homes
- ▶ Available in two models to suit a wide range of applications
- ▶ Optional A/C coil for a complete heating, cooling and hot water comfort system.
- ▶ 5 -year limited warranty, 1-year labor¹



(1) For complete warranty details please visit boschheatingandcooling.com

System & Technical Information

	AHU50 7736503820	AHU70 7736503821
A	17"	21 1/4"
B	23"	23"
C	35 1/2"	34 3/4"
D	20"	20"
E	12"	16"
F	18"	18"
G	13"	17"
H	10"	16"
1	Water in via 1/2" copper pipe	
2	Water out via 1/2" copper pipe	



AIR HANDLER UNIT 50*													
CFM SETTING	Water Heater GPM	120°F WH set point			130°F WH set point			140°F WH set point			160°F WH set point		
		BTU Output	Exiting Air Temp °F	Return Water Temp °F	BTU Output	Exiting Air Temp °F	Return Water Temp °F	BTU Output	Exiting Air Temp °F	Return Water Temp °F	BTU Output	Exiting Air Temp °F	Return Water Temp °F
LOW 600	1	17,200	96.5	85.6	21,900	103.8	86.2	25,600	109.5	88.8	33,100	121.1	93.8
	2	23,800	106.7	96.2	28,600	114.1	101.4	33,500	121.7	106.5	43,300	136.8	116.7
	3	25,800	109.8	102.8	31,000	117.8	109.3	36,300	126.0	115.8	46,800	142.2	128.8
MED 800	1	19,600	92.7	80.8	23,900	97.7	82.2	27,900	102.3	84.2	36,100	111.8	87.7
	2	28,000	102.4	92.0	33,800	109.1	96.2	39,500	115.7	100.5	51,100	129.1	108.9
	3	31,500	106.5	99.0	37,900	113.9	104.7	44,300	121.1	110.5	57,200	136.2	121.9
HIGH 1000	1	19,600	88.1	80.8	24,300	92.5	81.4	28,800	96.7	82.4	37,900	105.1	84.2
	2	31,200	98.9	88.8	37,500	104.7	92.5	43,900	110.6	96.1	56,800	122.6	103.2
	3	36,000	103.3	96.0	43,400	110.2	101.1	50,700	116.9	106.2	65,600	130.7	116.2

AIR HANDLER UNIT 70*													
CFM SETTING	Water Heater GPM	120°F WH set point			130°F WH set point			140°F WH set point			160°F WH set point		
		BTU Output	Exiting Air Temp °F	Return Water Temp °F	BTU Output	Exiting Air Temp °F	Return Water Temp °F	BTU Output	Exiting Air Temp °F	Return Water Temp °F	BTU Output	Exiting Air Temp °F	Return Water Temp °F
LOW 1000	2	30,300	98.1	89.7	38,500	105.6	91.5	42,800	109.6	97.2	55,300	121.2	104.7
	3	35,200	102.6	96.5	42,400	109.3	101.7	49,700	116.0	106.9	64,200	129.4	117.2
	4	37,900	105.1	101.0	45,600	112.2	107.2	53,300	119.4	113.3	68,900	133.8	125.5
MED 1200	2	32,600	95.2	87.4	41,400	101.9	88.6	46,000	105.5	94.0	59,500	115.9	100.5
	3	38,900	100.0	94.4	46,800	106.1	98.8	54,800	112.3	103.5	70,900	124.7	112.7
	4	42,500	102.8	98.7	51,100	109.4	104.4	59,800	116.1	110.1	77,300	129.6	121.3
HIGH 1600	2	35,700	90.7	84.3	45,300	96.2	84.7	50,300	99.1	89.7	65,000	107.6	95.0
	3	44,300	95.6	90.5	53,400	100.9	94.4	62,500	106.2	98.3	80,900	116.8	106.0
	4	49,700	98.8	95.1	59,900	104.7	100.0	70,100	110.6	104.9	90,700	122.5	114.6

System Solution

Complete your homes system with the Bosch hydronic air handler and pair it with Bosch's IDS cased evaporator coil and Greentherm 9000 water heater. This will give you all your comfort needs for heating, cooling and hotwater.



About **Bosch**

Bosch Group

The Bosch Group is a leading global supplier of technology and services in the areas of Automotive, Industrial Technology, Consumer Goods and Building Technology. The company was founded in Stuttgart, Germany, in 1886 and presently has more than 440 subsidiaries and is represented in over 150 countries.

In the U.S., Canada and Mexico, the Bosch Group manufactures and markets automotive original equipment and aftermarket solutions, industrial drives and control technology, power tools, security and communication systems, packaging technology, thermotechnology, household appliances and software solutions. The Bosch Group's products and services are designed to improving quality of life by providing innovative and beneficial solutions. In this way, the company offers technology worldwide that is "Invented for life." Additional information is available online at boschheatingandcooling.com and bosch.ca.

Bosch Thermotechnology in North America

Bosch Thermotechnology is a leading source of high quality water heating and comfort systems. The company offers gas tankless, electric whole house and point-of-use water heaters, Bosch and Buderus floor-standing and wall mounted boilers, Bosch and FHP geothermal, water-source and air-source systems as well as controls and accessories for all product lines. Bosch Thermotechnology is committed to being Simply Smart by offering products that work together as integrated systems that enhance quality of life in an ultra-efficient and environmentally friendly manner. For more information, visit boschheatingandcooling.com.

Bosch Water-Source Heat Pumps: Made in the U.S.A.

Bosch and FHP water-source and geothermal heat pumps are made by highly trained and skilled workers in our factory based in Fort Lauderdale, Florida. They are manufactured with rigorous standards and factory testing ensuring high efficient operation over the life of the unit. Bosch's ISO 9001 and ISO 14001 certified facilities provide consistent quality in every unit built.



Heating



Cooling



Hot Water



Controls

Bosch Thermotechnology Corp.

Watertown, MA • Londonderry, NH • Ft. Lauderdale, FL
General Inquiries: 1-866-642-3198

Copyright © 2018 Bosch Thermotechnology Corp.
All rights reserved. Subject to change without notice.